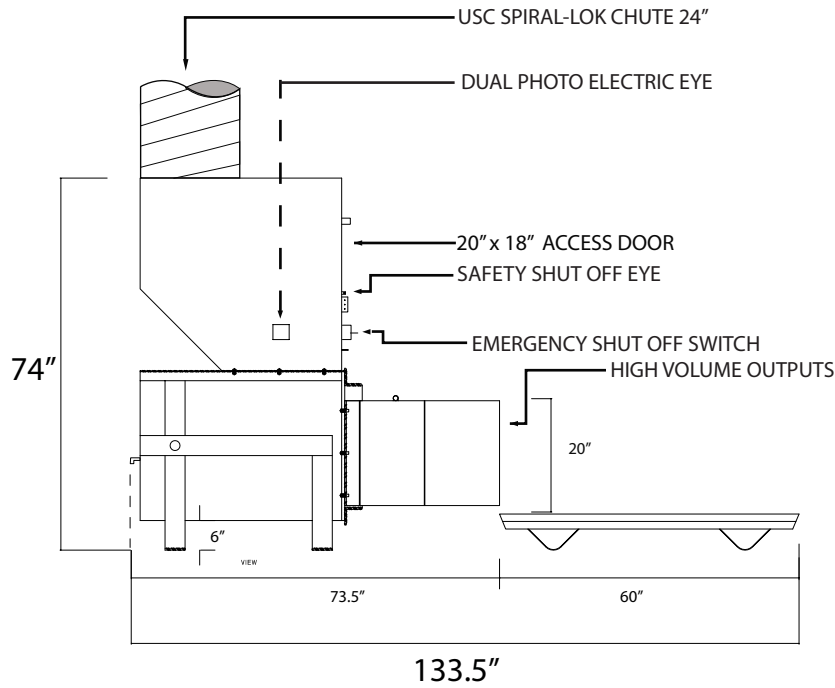


# U.S. COMPACTORS - BAGGER

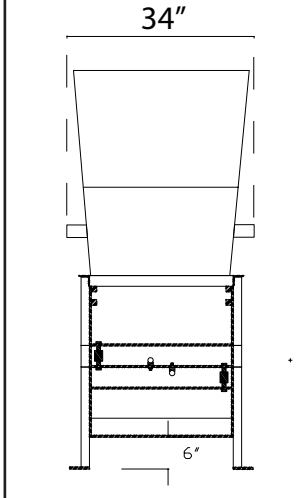
We reserve the right to change any and all information. NOTE: This drawing is not to scale.



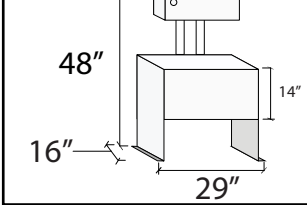
SIDE VIEW



REAR VIEW



POWER UNIT



PLAN VIEW

