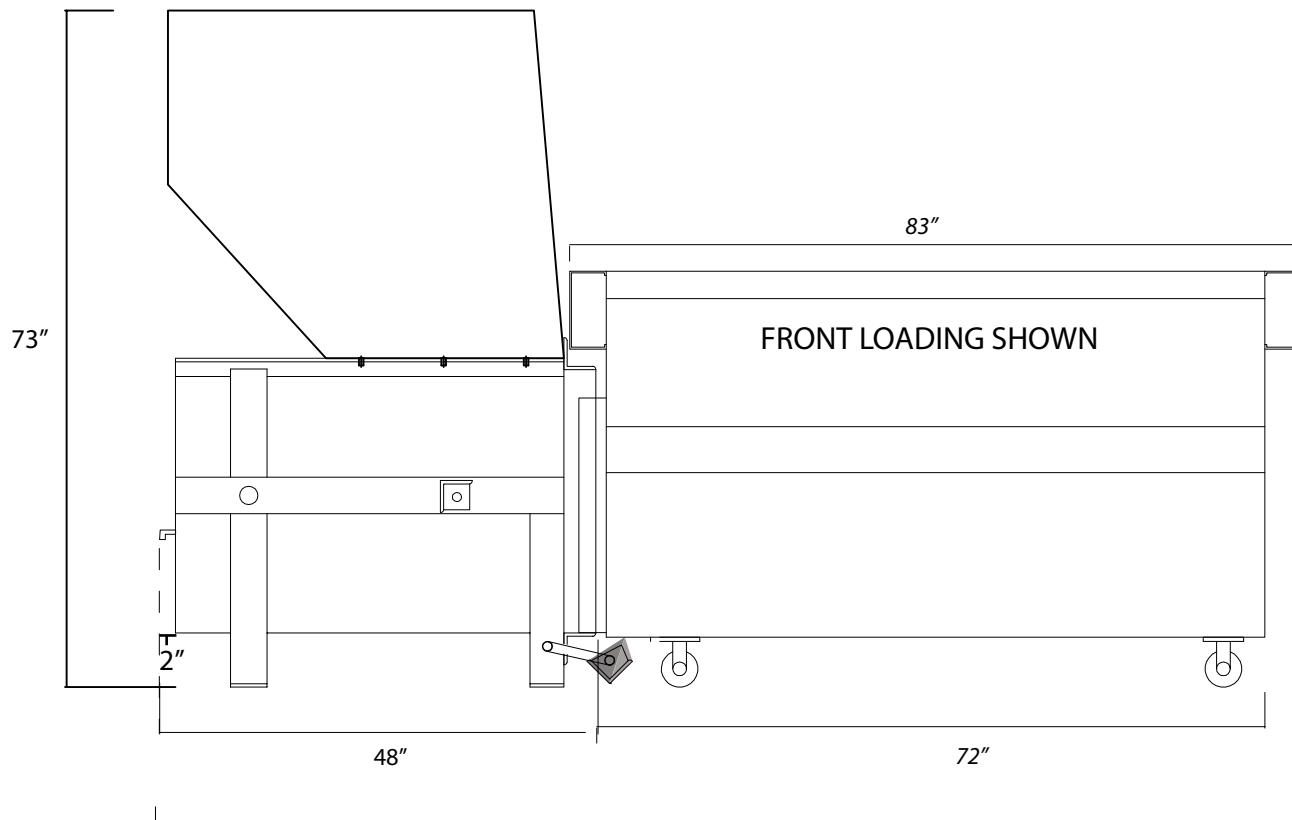


REAR VIEW



SIDE VIEW

U.S. CHUTES MODEL 3X3 CONTAINER/ PACKER *FRONT LOADING*
ELECTRICAL REQUIREMENTS:

208 - 230 VOLT
 30 AMP 4 WIRE (4TH WIRE GROUND)

G.C. TO PROVIDE:

3 FUSED DISCONNECT SWITCH
 5' A.F.F. WITHIN 3'-0" OF COMPACTOR

(800)U.S. CHUTES		607 BANTAM ROAD BANTAM, CT 06750	
1-800-872-4883 'FURNISH & INSTALL'		DRAWING UPDATED:12-31-09	
PROJECT: X		JOB# XXXXX	
ADDRESS: X			
ARCHITECT:			
CONTRACTOR: X			
AGENT:HOUSE	PROD. NO:	FABRICATION DATE:	
RELEASE			
<input checked="" type="checkbox"/>	FOR APPROVAL	<input type="checkbox"/>	FILE COPY
<input type="checkbox"/>	FOR PRODUCTION	<input type="checkbox"/>	AS BUILT
REV. #	DATE:	DRAWN BY: GABRIEL	DATE:
	BY:	SHEET: 2 OF 2	SCALE: N.T.S.